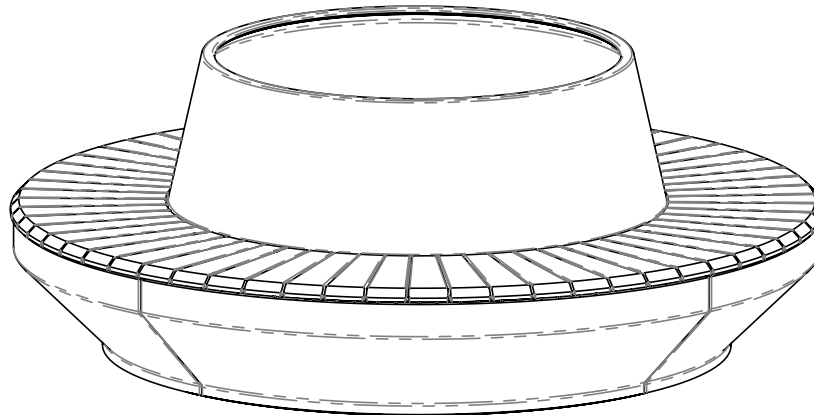


PASO COLLECTION: PLANTER BENCH: 97" DIA x 36"H (PCB3970036)
Installation / Assembly Instructions



Product ships multiple pieces. Some assembly, and some disassembly, will be required for free-standing or anchoring.

You can find information about caring for Tournesol products and materials by visiting: <https://www.tournesol.com/resources/fieldmanualscaremaintenance> where you can download Care & Maintenance documents.

INCLUDED

GFRC Planter	1 pc.
GFRC Quarter Base	4 pcs.
Wood Top Sections	4 pcs.
1/4"-20 Socket Head Cap Screw	12 pcs.
1/4" Flat Washer	12 pcs.
3/8"-16 Hex Bolt	16 pcs.
3/8" Hex Nut	16 pcs.
3/8" Flat Washer	32 pcs.

NEEDED FOR ANCHORING *Not included*

- 3/16" hex bit with non-impact driver or hand tool
- 9/16" socket or box wrenches
- Masonry bits, hammer drill
- Non-corrosive anchors, hardware with fender washers
- Optional: Sealant for anchor points and hardware

Units should be moved in their shipping packaging to a location in close proximity to their final installed location. Carefully remove the packaging materials and inspect the units for any damage that may have occurred during shipping. If damage has occurred, immediately report this to the shipping carrier at the time of delivery.

⚠ The GFRC bases have lifting points available for moving for short distances. These can be cut (removed) once placement is complete.

PASO COLLECTION: PLANTER BENCH: 97" DIA x 36"H (PCB3970036)
Installation / Assembly Instructions

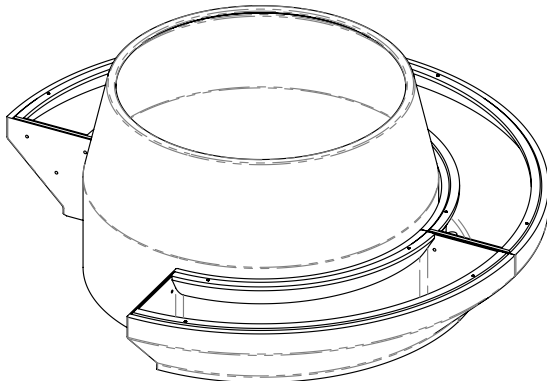


Fig. 1

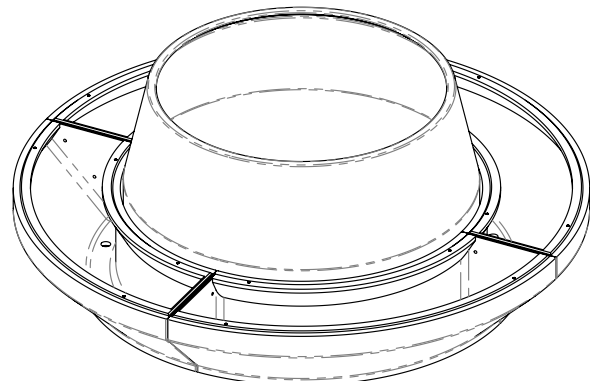


Fig. 2

STEP 1

Place the planter in the location of final position. Place the four bench segments around the planter (figures 1 & 2). Remove the bench top on each by unscrewing the four 1/4"-20 socket-head cap screws using a 3/16" hex driver (figures 3 & 4).

⚠ *Make a note to keep bench top and base pieces partnered (mark with tape or place in position).*

STEP 2

With the desired location for anchoring, quantity, and type of anchoring established (verify with project manager), assure surface is level or shim around anchor location. Uneven surface conditions can damage product.

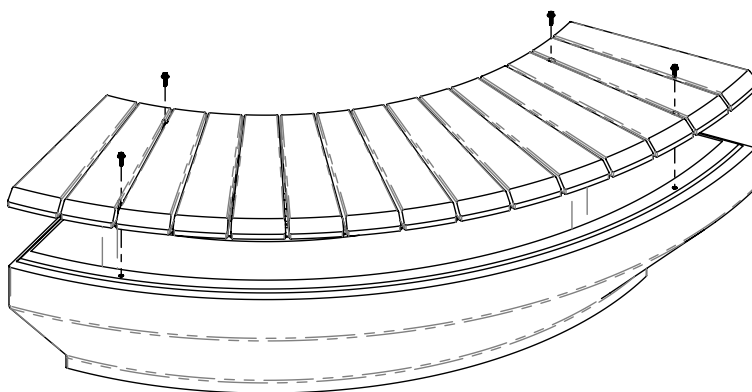


Fig. 3

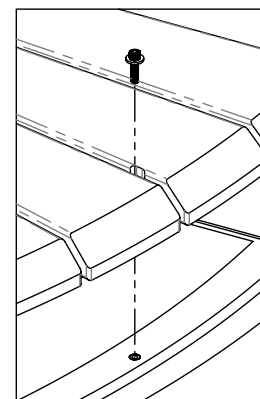


Fig. 4

STEP 3 (anchoring only)

With the GFRC bases in place mark and drill holes in each base for anchors as appropriate (to accommodate the selected anchor style and hardware). Clear any debris from inside bench bases.

⚠ *The GFRC base will have existing holes (fig. 5) for drainage and should not be used for anchoring.*

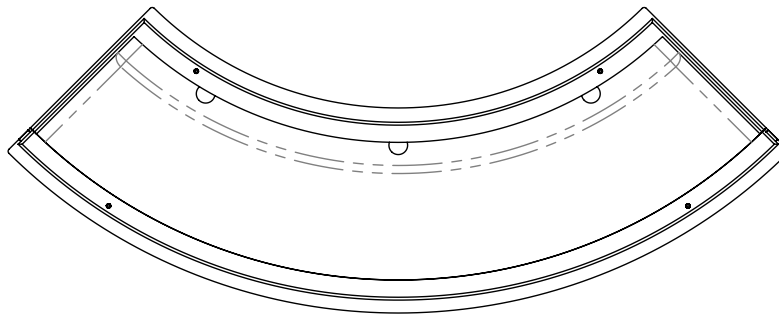


Fig. 5

STEP 4 (anchoring only)

If adding anchors to substrate, use the newly drilled holes in the bench bases to mark anchor locations in the substrate. Drill holes in substrate as required. Clear any debris from substrate surface where bench rests to maintain level.

STEP 5

Set the four GFRC bases into place. If anchoring, attach non-corrosive anchors and hardware but do not tighten fully. Connect the bench segments to one another using the 3/8" hardware supplied (fig. 6 & 7). Do not fully tighten these connections.

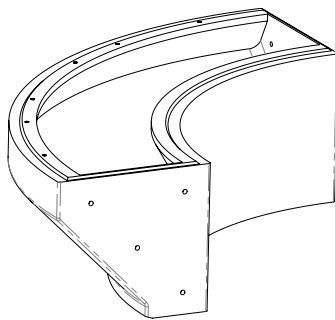


Fig. 6

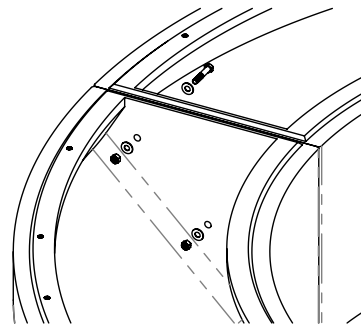


Fig. 7

STEP 6

Before tightening all hardware, verify that the four bases are level at the top surface and flush at the front edges. This may require slight shifting or shimming of the bases to achieve.

STEP 7

With the bases level and aligned, tighten the base connection hardware and any anchoring hardware. Continue to verify that the top of the bases remain level while tightening hardware.

STEP 8

Attach bench tops to the GFRC bases with the four 1/4"-20 socket-head cap screws using a 3/16" hex driver (figure 3 & 4). Do not over tighten.